

# Technical data sheet



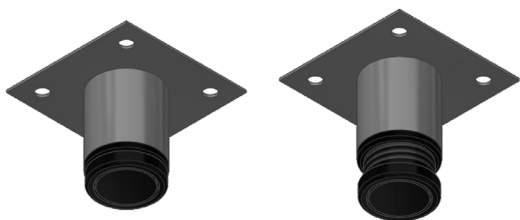
Product features

## Legs for shocker SHF 0311

Model

SAP Code

00038344



# Technical data sheet



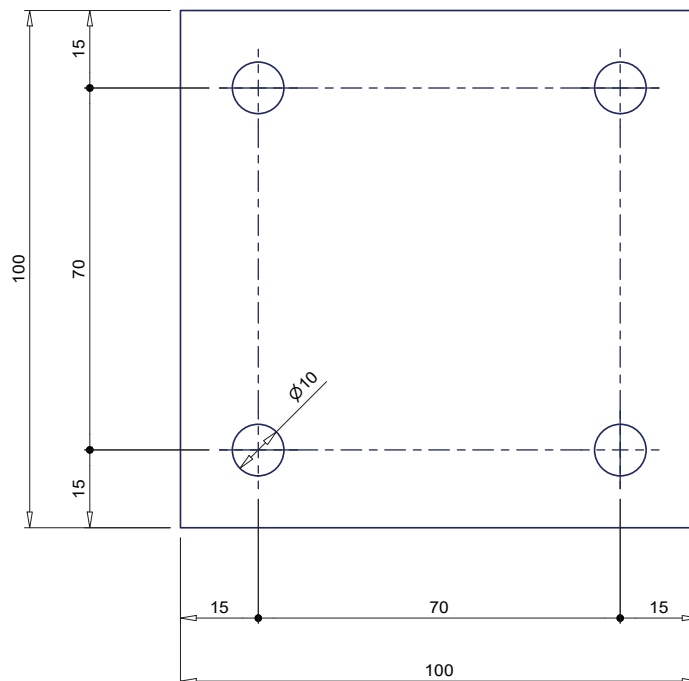
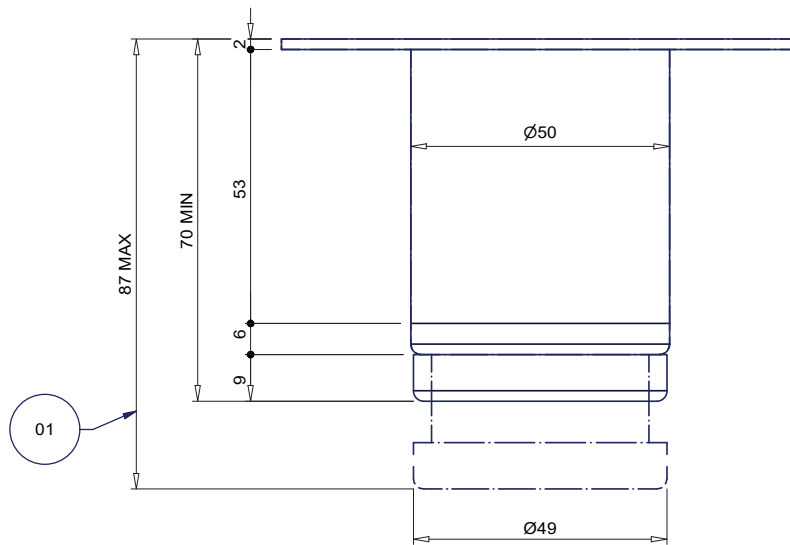
Technical drawing

Legs for shocker SHF 0311

Model

SAP Code

00038344



# Technical data sheet



Technical parameters

## Legs for shocker SHF 0311

**Model**

**SAP Code**

00038344

**1. SAP Code:**

00038344

**6. Gross Width [mm]:**

10

**2. Net Width [mm]:**

10

**7. Gross depth [mm]:**

10

**3. Net Depth [mm]:**

10

**8. Gross Height [mm]:**

87

**4. Net Height [mm]:**

70

**9. Gross Weight [kg]:**

1.00

**5. Net Weight [kg]:**

1.00